

## Overview

The LFC Lighted Flow Cell is engineered to provide the optimal conditions for BECSys pH, ORP, CP-1 Free Chlorine and temperature sensors. This flow cell includes an innovative backlighting feature, which enhances the ability for operators to inspect all sensors installed in the flow cell.

An integral flow switch is incorporated in the LFC; “No Flow” conditions are indicated with red LEDs in the flow switch chamber. With this feature an operator will be able to quickly identify No Flow conditions, even from a significant distance from the controller and flow cell.

A sample stream kit is included with the LFC (when ordered with BECSys controller) that includes isolation valves, as well as a bypass line. The bypass line allows a high flow path in parallel with the LFC flow cell. In the configuration with the CP-1 port, a needle valve and acrylic flowmeter are included for ease of setting the flow rate through the flow cell for optimal bead circulation and stable flow within the CP-1 chamber. Chlorine sensors, including the CP-1, are dependent upon stable flow.

The LFC connects and is powered via the standard low voltage BECSys flow switch interface; no additional electrical power supply is required. Electronics for flow switch circuitry and lighting LEDs are installed inside sealed compartments in the back of the LFC flow cell; there are no water paths to these electronics compartments.

CP-1 port is hinged for ease of service; loosen two bolts from the right-hand side of flow cell to remove CP-1 port. The LFC is also available without the CP-1 sensor port, which can easily be added in the field at a later date with the CP-1 sensor.

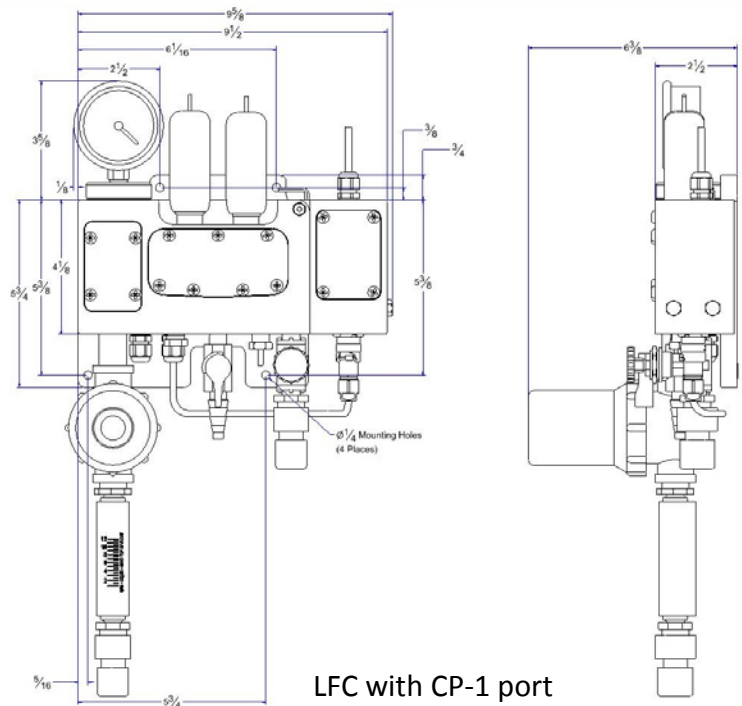
The LFC Lighted Flow Cell comes with a 1 year warranty.



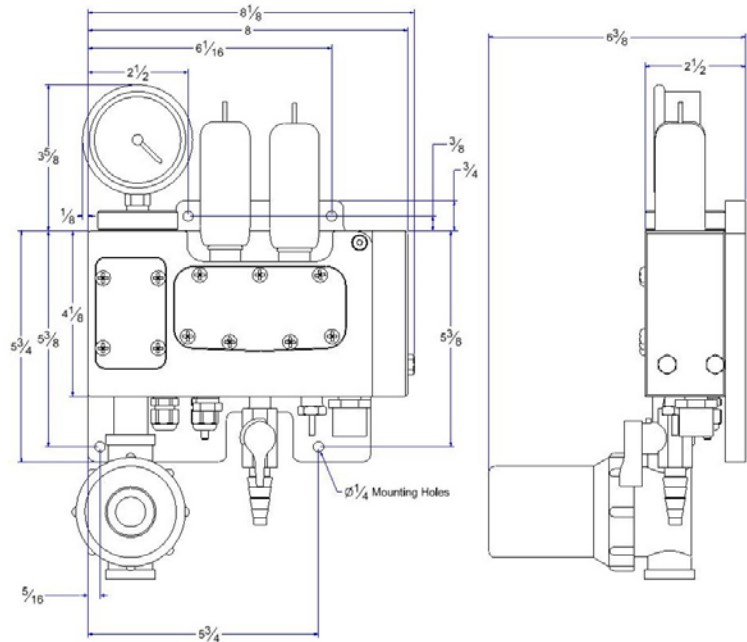
Lighted Flow Cell with CP-1 sensor,  
showing No Flow condition

## Features

- ✓ Backlit for easy inspection of sensors
- ✓ Integrated sample stream flow switch
- ✓ No Flow condition indicated with red LEDs
- ✓ Available with or without CP-1 port
- ✓ CP-1 port separates easily for service



LFC with CP-1 port



Lighted Flow Cell without CP-1 port

## Specifications

**Part Numbers – When ordering with a controller the LFC Flow Cell should be specified from the BECSys7, BECSys5 and BECSys3 Ordering Guides. Part Numbers provided here are for replacement parts.**

LFC Lighted Flow Cell with CP-1 sensor port (CP-1 sold separately)	2210516
LFC Lighted Flow Cell without CP-1 sensor port (CP-1 sold separately)	2210515
LFC Sample Stream kit (included when LFC is ordered with BECSys controller)	2210529
LFC CP-1 sensor port upgrade kit	2210585

## Physical

Flow Cell Body Material	Polyethylene
Viewing windows	Acrylic
Beads	2mm Glass
O-rings	Viton
Connections	1/2" tube fittings

## Environmental

Storage Temperature	-30 to 70 °C
Ambient Operating Temperature	-18 to 50 °C
Ambient Humidity	95% non-condensing maximum

## Performance

Maximum pressure	60 psi
Minimum pressure differential (for proper CP-1 bead circulation pattern)	5 psi
Minimum flow rate (for flow switch activation)	8 gph

## Related Documents

Lighted Flow Cell (with CP-1 module) CAD Line Drawing	.dxf, .jpg	ENG-6079-IDW
Lighted Flow Cell (without CP-1 module) CAD Line Drawing	.dxf, .jpg	ENG-6080-IDW
BECSys5 Water Chemistry Controller Data Sheet	.pdf	ENG-4262-DOC
BECSys3 Water Chemistry Controller Data Sheet	.pdf	ENG-4261-DOC
BECSys7 Equipment Room Controller Data Sheet	.pdf	ENG-4263-DOC
CP-1 Free Chlorine/Bromine Sensor Data Sheet	.pdf	ENG-6066-DOC